

## CV21 Control Valve

The CV21 is a rugged, compact, freezeless dump valve. The body can be installed so that the valve cage and plug are submerged into the process media giving the valve its freezeless characteristic. Typical installations include separators, scrubbers, and other production vessels.

The CV21's hammer union makes maintenance easy by allowing the topworks to be removed without taking the valve out of line.

The CV21 is available in 1/4" or 3/8" hardened trim allowing it to take high pressure drops up to 4000 psi with minimal wear. Other options include adjustable or non-adjustable topworks and a 3-15 or 6-30 spring (adjustable top only).



CV21 Adjustable

CV21 Non-Adjustable

## Specifications

### Connections:

2" Male NPT x 1" Female NPT

1" Female NPT x 1" Female NPT

**Body Type:** Freezeless Angle Body Design

**Trim Characteristic:** Quick Open

**Trim Size:** 0.25" (1/4"), 0.375" (3/8")

**Pressure Rating:** 4000 psi

**Temperature Range:**

-20° F to 200° F (-29° C to 93° C)

**Shutoff:** ANSI Class IV

**Actuator Sizes:** No. 35 (35 in<sup>2</sup> area)

**Input Signal Ranges:** 3-15 psi, 6-30 psi

### Materials:

**Body:** Plated Carbon Steel

**Cage:** Carbon Steel

**Hammer Nut:** A105 Steel

**Trim:** 440 Stainless

**Stem:** 303 Stainless

**Actuator Housing:** Carbon Steel

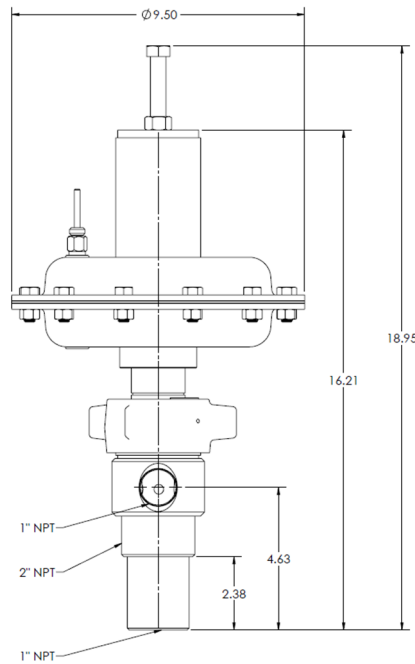
### Approximate Weight:

**With Adjustable Actuator:** 29 lbs.

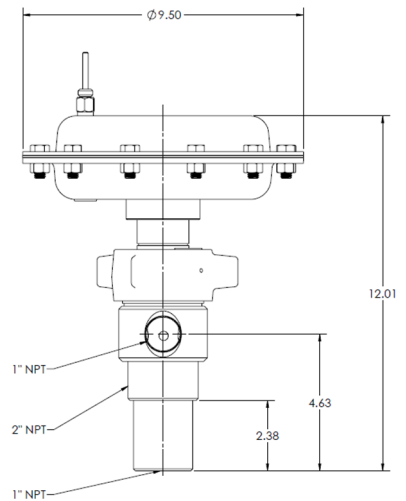
**With Non-Adjustable Actuator:** 25 lbs.

## Dimensions

Adjustable Topworks



Non-Adjustable



Cv Values at 100% Open	
Trim Size (in.)	Cv
0.25	1.6
0.375	4.0

## How to Order

### CV21- 3 A

#### Trim Size

2 - 1/4"      3 - 3/8"

#### Actuator

A - Adjustable    N - Non-Adjustable

Repair Kits Available