

CV14 Control Valve

The CV14 is a rugged, compact, control valve featuring a 1" body and field reversible actuator. Typical installations include separators, scrubbers, treaters, and other production vessels.

The CV14 makes maintenance easy by allowing the topworks to be removed without taking the valve out of line. Its hardened trim is available in a variety of sizes.

Specifications

Connection: 1" Female NPT

Body Type: Globe, Angle

Trim Characteristic: Modified Percent (Throttling)

Trim Size: 0.125", .188", .25", 0.375", 0.50"

Stem Travel: .50"

Pressure Rating: 4000 psi

Temperature Range: -20° F to 400° F (-29° C to 204° C)

Shutoff: ANSI Class IV

Actuator Size: No. 30 (30 in² area)

Input Signal Range: 4 - 20 psi

Materials:

Body: A216 WCC Steel,

Packing Plug: A105 Steel Zinc Plated

Trim:

Standard: 440C Stainless Ball / D2 Tool Steel Seat

Corrosive: 316 Stainless Ball / 316 Stainless Seat

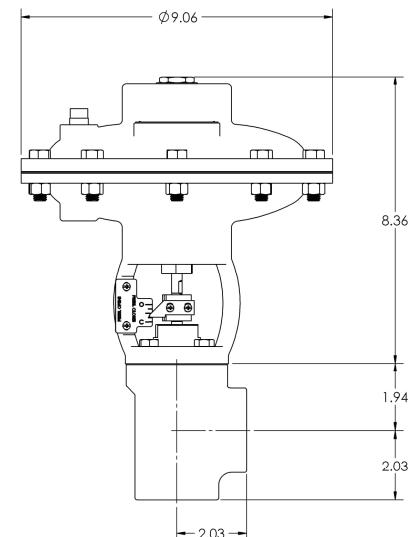
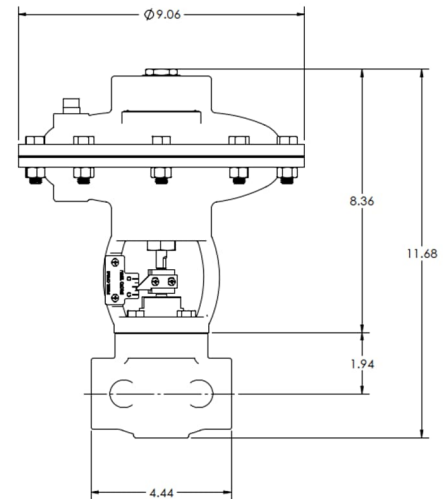
Stem: 304 Stainless

Actuator Housing: Ductile Iron

Approximate Weight: 27 lbs



Dimensions



Cv Values

Cv Values at 100% Open	
Trim Size (in.)	Trim Type
	Throttling
.125	1.1
.188	1.5
0.25	2.0
0.375	3.2
0.50	6.5

Shut-Off Pressures

Maximum Shut-Off Pressures For Reverse Acting (Fail Closed) Actuators

Trim Size (in.)	Flowing Up	Flowing Down			
	20 psi Spring	20 psi Spring			
		15 psi	20 psi	25 psi	30 psi
0.25	3328	4000	4000	4000	4000
0.375	1696	4000	4000	4000	4000
0.50	823	1575	2682	3789	4000

Maximum Shut-Off Pressures For Direct Acting (Fail Open) Actuators

Trim Size (in.)	Flowing Up			Flowing Down
	20 psi Spring			20 psi Spring
	20 psi	25 psi	35 psi	
0.25	150	2586	4000	4000
0.375	N/A	1293	3939	4000
0.50	N/A	608	2020	4000

How to Order

Example Model No. CV14-R-CB-21

CV14 Series Dump Valve, Globe body, Carbon Steel with Buna Seals, 0.25" Standard Trim



Repair Kits Available



Phone: 409-225-5863
Fax: 409-242-1005
850 Fannin
Beaumont, Texas 77701