

## LC70 Level Control

The LC70 is a float operated liquid level control device sometimes referred to as a “trunnion” or a “float nose”. The LC70 utilizes a large float, linkage rod and levers to mechanically operate a dump valve via rotational connections.

The LC70 is available in 2 different body styles: Union and Bolted. The levers can easily be changed from the left to right to match the dump valve mount. Multiple parts and accessories are available to fit a wide variety of configurations.

When used with a CV45 mechanical valve, the LC70 can provide a level control/dump system that is completely emissions free!

## Specifications

**Sizes:** 8” and 5” Union Connections, 5” Bolted Connection

**Pressure Rating:** 500 psi

**Temperature Range:** -20° F to 400° F (-29° C to 204° C)

**Materials:**

**Body:** A216 Gr WCC Steel

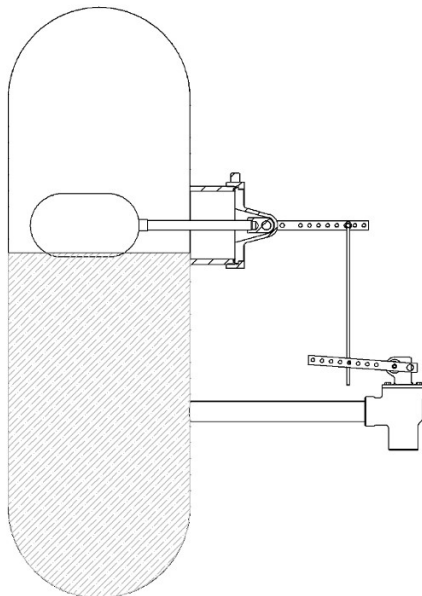
**Float:** Powder Coated Steel

**Float Arm:** 3/4” SST

**Shaft:** 304 SST

**Bushings:** 304 SST

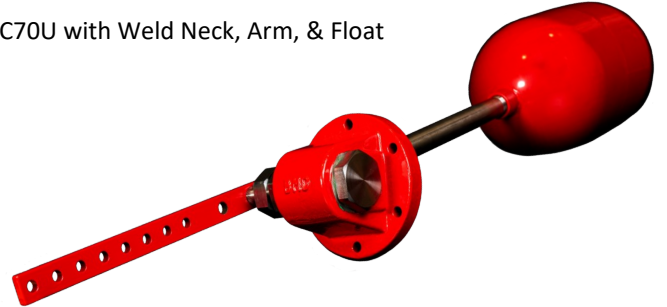
**Seals:** Viton



Typical installation of LC70 and CV45 mechanical valve.



LC70U with Weld Neck, Arm, & Float



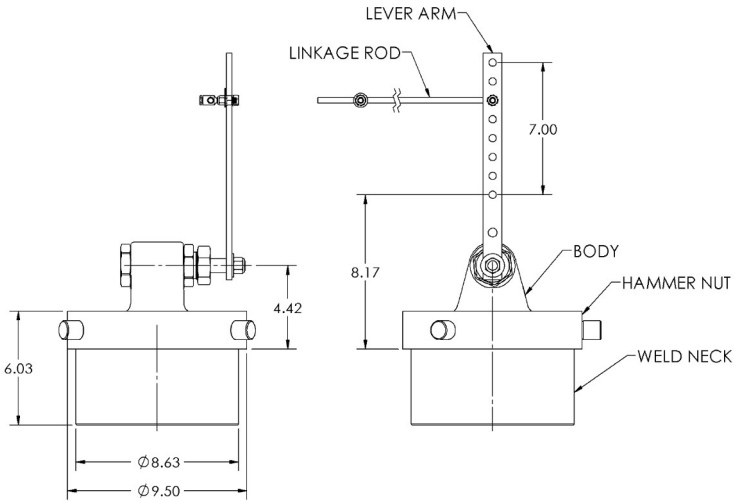
LC70B with Arm & Float

Parts & Accessories (Sold Separately)		
Category	P/N	Description
Levers	57-05-0664	Lever Style 12 Inch LC70
Float Arms	57-05-0585	Arm Float 12 Inch LC70 Solid SST
	57-05-0586	Arm Float 24 Inch LC70 Solid SST
Weights	57-05-0580	Weight 1LB LC70
	57-05-0581	Weight 2LB LC70
	57-05-0582	Weight 5LB LC70
	57-05-0583	Weight 10LB LC70
	57-05-0584	Collar Weight LC70
Floats	57-05-0502	7" x 12" CS w/ Powder Coat
	57-05-0485	14" Spherical CS w/ Powder Coat
Hammer Union	57-05-0368	Hammer Union 8" ACME

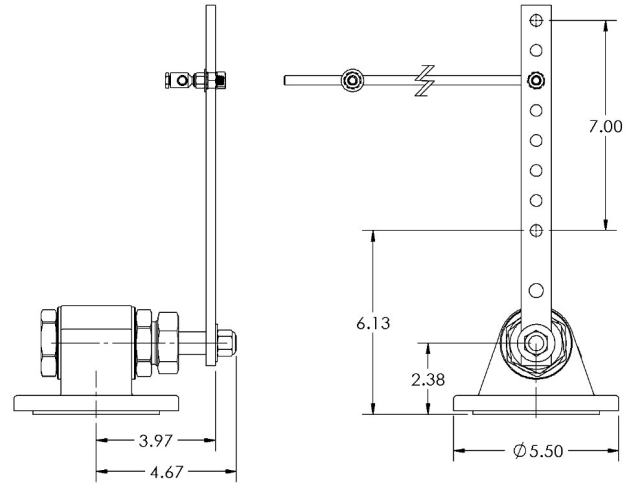
\*Used with LC70B, Bolted Connection.

# Dimensions

## Union Connection



## Bolted Connection



Dimensions in inches.

# How to Order

Example Model No. **LC70U-8-51218**

LC70 Series Liquid Level Controller, Union Connection, Standard Service, 5" Weld Neck, 12" Lever, 18" Linkage Rod

**LC70U - 8 - 5 12 18**

<b>Base Model</b>	
LC70U - Union	LC70B - Bolted
<b>Size</b>	
1 - Bolted	5 - 5" Union    8 - 8" Union
<b>Weld Neck Options</b>	
5 - 5" Length   6 - 6" Length   8 - 8" Length   1 - Hammer Nut Only   0 - None	
<b>Lever Length</b>	
12 - 12" (Standard)   18 - 18"   24 - 24"   36 - 36"	
<b>Linkage Rod</b>	
18 - 18" (Standard)	

Float & Arm Sold Separately

No Weld Neck Option for Bolted LC70



Phone: 409-225-5863  
 Fax: 409-242-1005  
 850 Fannin  
 Beaumont, Texas 77701