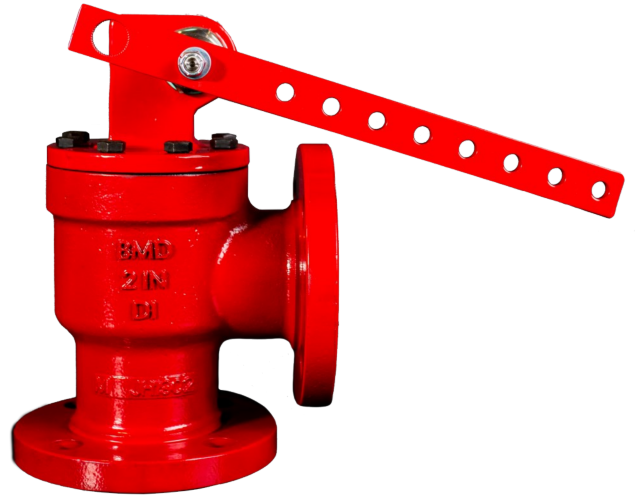


CV45 Mechanical Control Valve

The CV45 is a low pressure, mechanical dump valve available with full port and reduced port sizes. It features balanced plug control trim with a quick opening characteristic. The CV45's full port allows for high flow rates, and its soft seat design gives a consistent leak free shut off.

The CV45 can be used for discharging liquid or gas from separators, treaters, knockouts or other vessels making it a great economical choice for a variety of low-pressure applications.

When paired with an LC70 level control the CV45 can provide a completely emission free level control/dump system!



Specifications

Sizes: 2", 3" and 4"

Connections: Female NPT, Flanged

Body Type: Globe, Angle

Trim Characteristic: Quick Open

Trim Size:

2" Body Size: 2", 1 1/2", 1"

3" Body Size: 3", 2", 1"

4" Body Size: 4", 3", 2", 1"

Trim Type: Balanced

Pressure Rating:

500 psi - 2", 3", 4" NPT

250 psi - 2", 3", 4" Flanged

Temperature Range: -20° F to 400° F

Materials:

Body and Bonnet: Ductile Iron

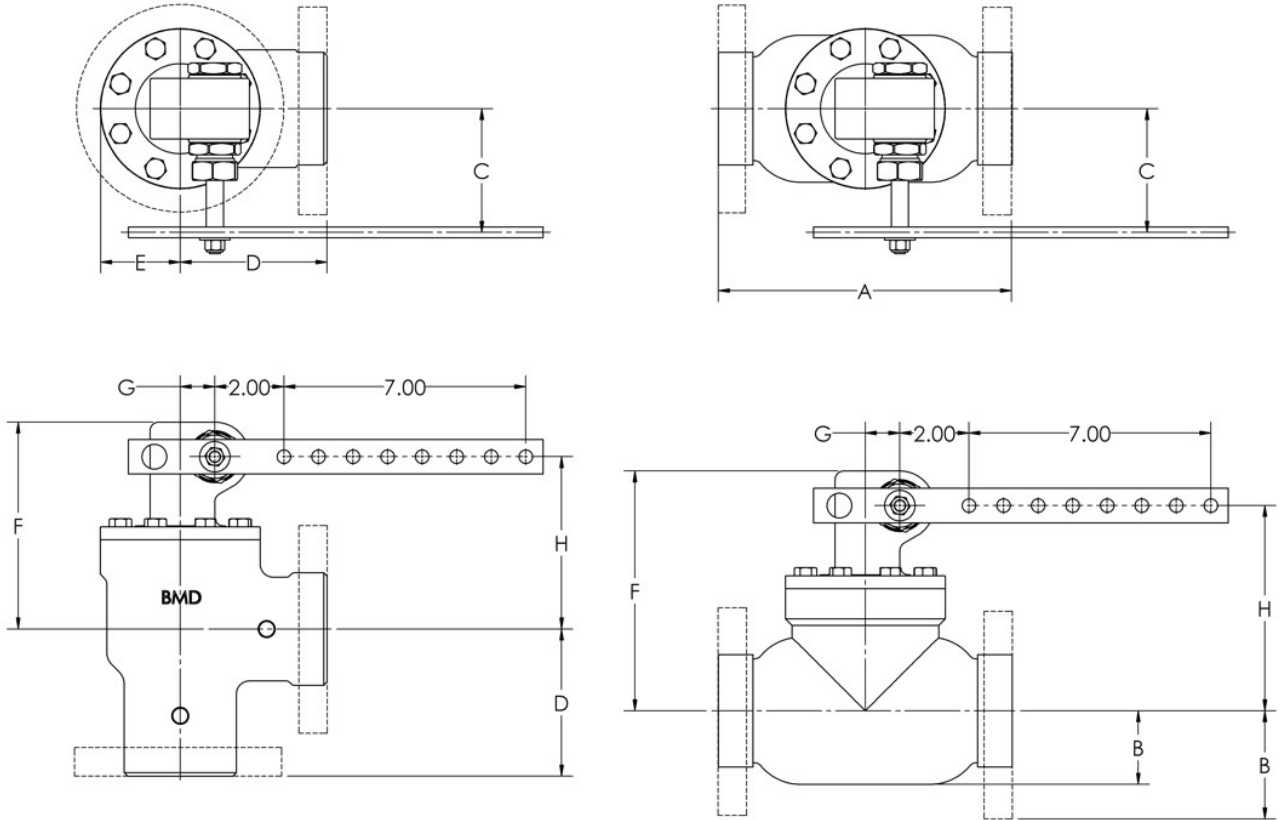
Internals: 304 Stainless Steel

Cv				
Body Size	2" (.623 Lift)		3" (.664 Lift)	4" (.78 Lift)
Trim Size				
1"	19.8	19.6	20.1	
1 1/2"	33.2			
2"	54.8	56.8	49.9	
3"		110.8	122.7	
4"			179.4	

End Connection	Valve Weights											
	2"				3"				4"			
	Globe		Angle		Globe		Angle		Globe		Angle	
	lbs	kg	lbs	kg	lbs	kg	lbs	kg	lbs	kg	lbs	kg
NPT	28	13	22	10	60	27	46	21	100	45	77	35
150 RFF	36	16	31	14	75	34	60	27	114	52	90	41

Valve Dimensions													
Body Size	End Connection	Globe						Angle					
		A	B	C	F	G	H	C	D	E	F	G	H
2"	NPT	8.50	2.13	3.57	6.00	1.00	5.00	3.57	4.25	2.31	6.00	1.00	5.00
	150 RFF	9.00	3.06	3.57	6.00	1.00	5.00	3.57	4.25	3.06	6.00	1.00	5.00
3"	NPT	12.00	3.00	3.60	7.29	1.39	5.79	3.60	5.50	3.00	7.29	1.39	5.79
	150 RFF	12.19	3.88	3.60	7.29	1.39	5.79	3.60	5.50	3.88	7.29	1.39	5.79
4"	NPT	15.00	3.75	3.78	10.26	1.39	8.77	3.78	6.50	3.56	10.26	1.39	8.77
	150 RFF	15.13	4.50	3.78	10.26	1.39	8.77	3.78	6.50	4.50	10.26	1.39	8.77

Dimensions



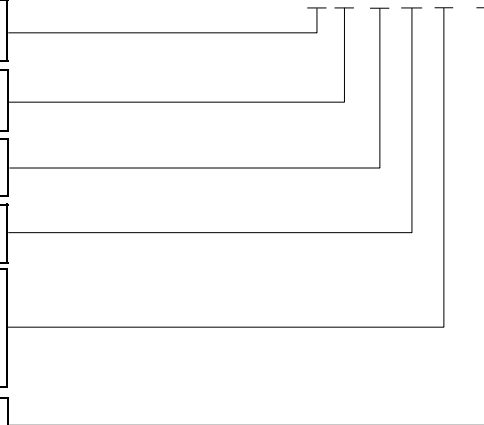
How to Order

Example Model No. **CV45-2NGR-TF-12**

CV45 Series Mechanical Dump Valve, 2" Globe Body, Threaded Ends, Teflon Seat, Full Port, 12" Lever.

Body Size			
2 - 2"	3 - 3"	4 - 4"	
Connection			
N - NPT	F - RFF		
Body Type			
G - Globe Body	A - Angle Body		
Seat Material			
T - Teflon			
Trim Size			
Full Port	Reduced Port (Specify Size)		
F - Full Port	A - 1"	B - 1 1/2"	
	C - 2"	D - 3"	
Lever Length			
12 - 12" (Standard)	18 - 18"	24 - 24"	36 - 36"

CV45 - 2 N G T F - 12



Beaumont Manufacturing

 and Distribution Company
 www.beaumontmanufacturing.com

Phone: 409-225-5863
 Fax: 409-242-1005
 850 Fannin
 Beaumont, Texas 77701