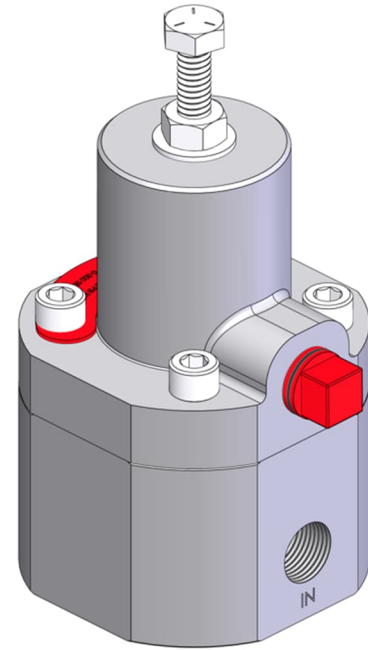


## PL30 Pressure Limiting Pilot

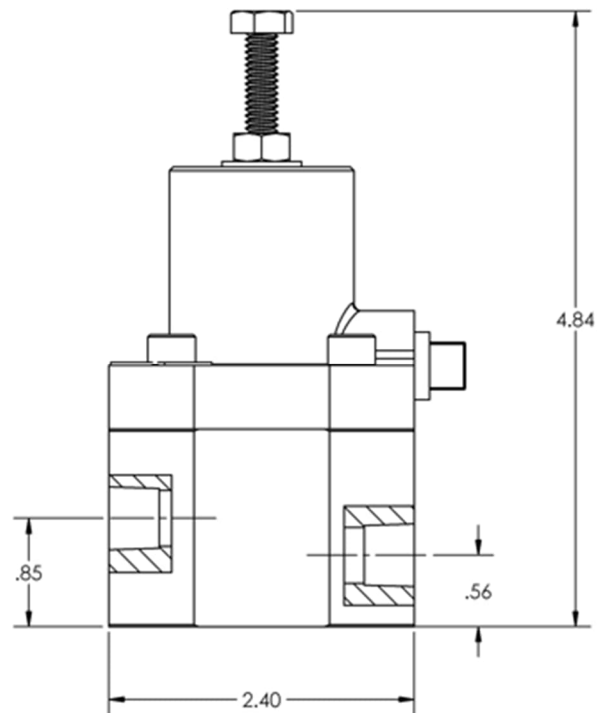
The PL30 is a pressure limiter. It can be used to protect a sense line or low volume piece of equipment from overpressure.

The PL30 features a body with a 4000 psi rating, and an adjustable pressure limit up to 300 psi. Once the pressure limit is reached the PL30 closes to prevent over pressure. It reopens once the pressure goes back below the limit.

Typically used to protect the sense line on a PC48 pressure pilot.



## Dimensions



## Specifications

### Connections:

Connection: 1/4" FNPT

### Pressure Rating:

4000 PSI

Limit Pressure Range:

0 -- 300 PSI

NACE Compliant

Compact Design

Adjustable Range

## How to Order

Part No: PL30