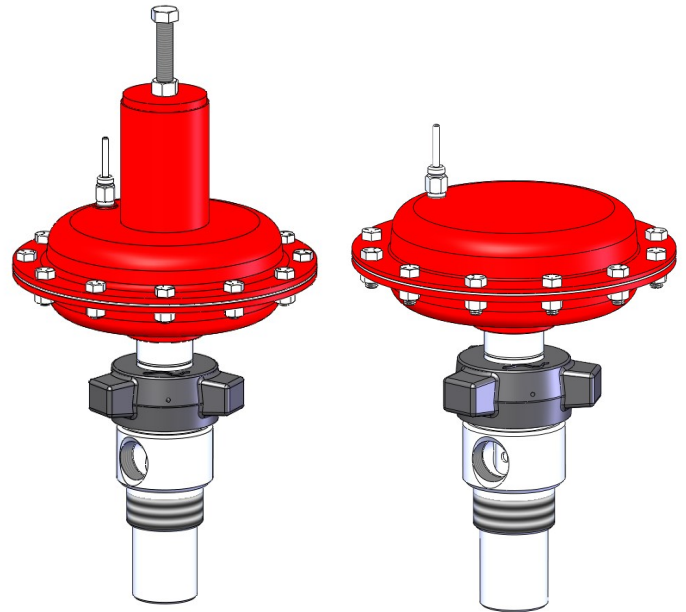


CV21 Control Valve

The CV21 is a rugged, compact, freezeless dump valve. The body can be installed so that the valve cage and plug are submerged into the process media giving the valve its freezeless characteristic. Typical installations include separators, scrubbers, and other production vessels.

The CV21's hammer union makes maintenance easy by allowing the topworks to be removed without taking the valve out of line.

The CV21 is available in 1/4" or 3/8" hardened trim allowing it to take high pressure drops up to 4000 psi with minimal wear. Other options include adjustable or non-adjustable topworks and a 3-15 or 6-30 spring (adjustable top only).



CV21 Adjustable

CV21 Non-Adjustable

Specifications

Connections:

2" Male NPT x 1" Female NPT
 1" Female NPT x 1" Female NPT

Body Type: Freezeless Angle Body Design

Trim Characteristic: Quick Open

Trim Size: 0.25" (1/4"), 0.375" (3/8")

Pressure Rating: 4000 psi

Temperature Range:

-20° F to 200° F (-29° C to 93° C)

Shutoff: ANSI Class IV

Actuator Sizes: No. 35 (35 in² area)

Input Signal Ranges: 3-15 psi, 6-30 psi

Materials:

Body: Plated Carbon Steel

Cage: Carbon Steel

Hammer Nut: A105 Steel

Trim: 440 Stainless

Stem: 303 Stainless

Actuator Housing: Carbon Steel

Approximate Weight:

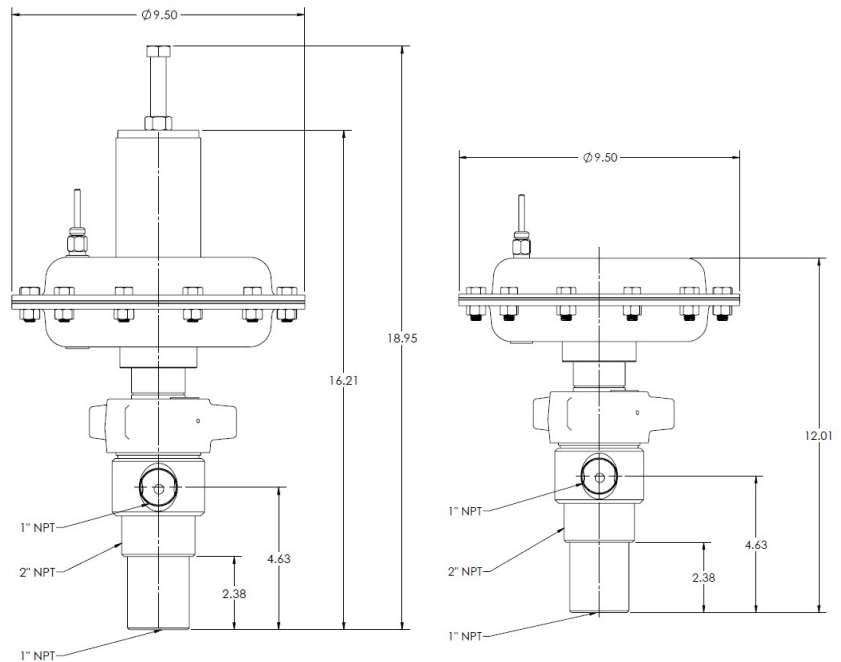
With Adjustable Actuator: 29 lbs.

With Non-Adjustable Actuator: 25 lbs.

Dimensions

Adjustable Topworks

Non-Adjustable



How to Order

CV21- 3 A

Trim Size

2 - 1/4" 3 - 3/8"

Actuator

A - Adjustable N - Non-Adjustable

Repair Kits Available

Cv Values at 100% Open	
Trim Size (in.)	Cv
0.25	1.6
0.375	4.0