



and Distribution Company

www.beaumontmanufacturing.com

RG50 Regulator

The RG50 is a pressure reducing regulator with a wide variety of applications such as natural gas distribution systems, boilers, furnaces, and much more. The RG50 provides high accuracy, no atmospheric bleed, and a heavy main spring that provides a tight shutoff. With high-capacity pressure control and excellent low flow control, topped off with ease of maintenance, the RG50 is the perfect solution for pressure reducing applications, when high flow and high accuracy are required.

Three pilot options with different spring ranges are available for the RG50. The RG50H has a spring range of 10-65 psi, and the RG50HP has a spring range of 35-100 psi. The RG50LD has multiple springs covering a range of 2 inWC to 20 psi.

Specifications

Sizes: 2"

Connection: Female NPT, Flanged

Body Type: Globe

Port Sizes: 7/8", 1 1/8",

Reduced Sizes 7/8" x 5/8", 7/8" x 1/2", 7/8" x 3/8"

Spring Range: RG50HP: 35 - 100 psi, RG50H: 10 - 65 psi

RG50LD: 2 inWC - 20 psi

Maximum Inlet Pressure:

7/8" Orifice - 400 psi

1-1/8" Orifice - 300 psi

Temperature Range:

0° F to 300° F (-18° C to 149° C) Viton

-20° F to 180° F (-29° C to 82° C) Buna, Nylon, Neoprene

Maximum Actuator Pressures:

Operating: 100 psi

Emergency: 110 psi

Maximum Pilot Spring Case Pressure for Pressure Loading: 100 psi

Maximum Rated Travel: 1/4 in/ 6.4 mm

Weight: 115lbs

Proportional Band: 1 to 2 psi In. W.C.

Materials:

Body: Ductile Iron

Actuator Casing: Ductile Iron

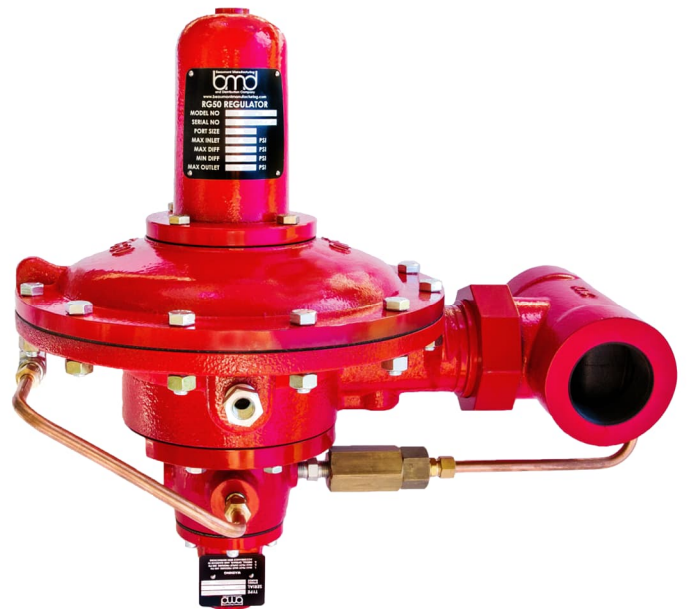
Pilot Body and Spring Case: Ductile Iron

Orifice, Disk Holder and Shuttle: Brass

Disk: Buna, Viton®, Nylon



RG50H



RG50HP

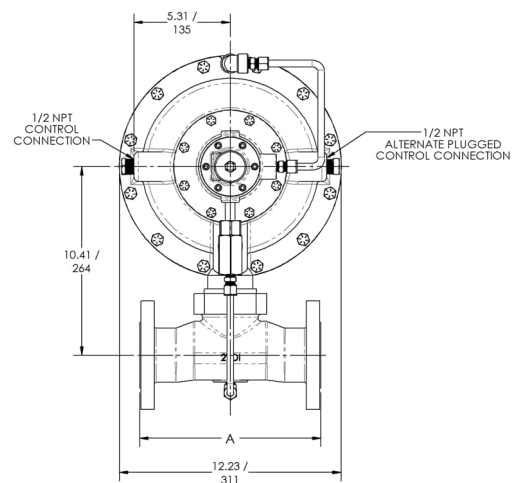
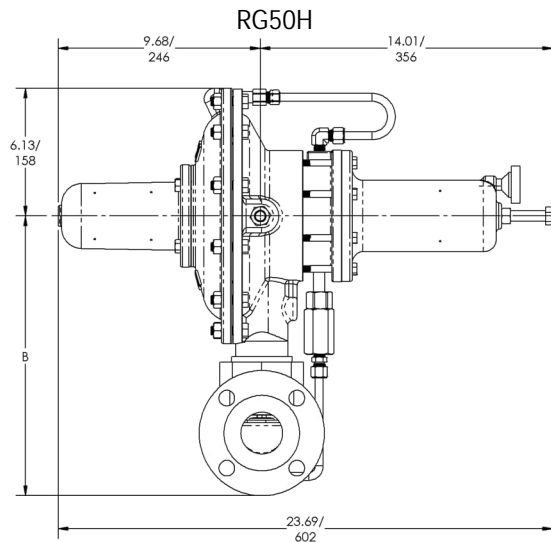
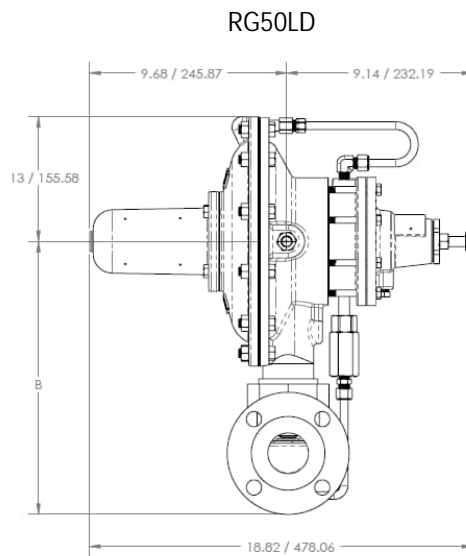
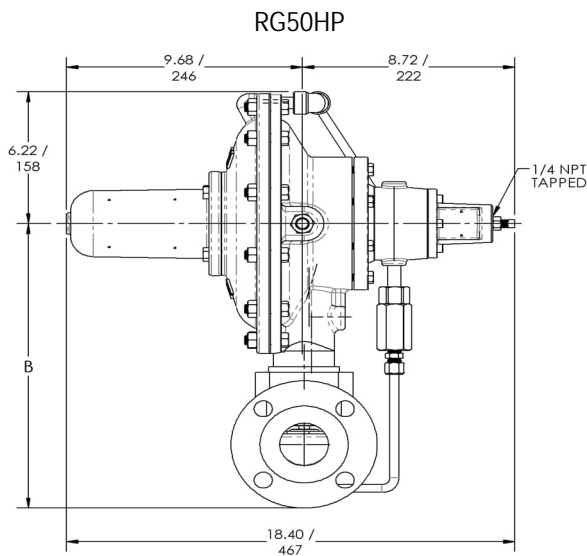
Body Pressure Ratings	
NPT	600 psi
150 Class Flange	250 psi
300 Class Flange	640 psi

Maximum Allowable Pressure Drop and Minimum Differential Pressures

Maximum Allowable Pressure Drop		Minimum Differential Pressure for Full Stroke		Disk Material	Maximum Orifice Size
psig	bar	psig	bar		In.
150	10.3	3	0.21	Buna and Viton	1 1/8"
250	17.2	3	0.21	Buna and Viton	7/8"
300	20.7	10	0.69	Nylon	1 1/8"
400	27.6	10	0.69	Nylon	7/8"

Dimensions

Dimensions in inches/mm.



Dimensions		
Body	A	B
NPT	6.25"	12.28"
Class 150	10.00"	13.41"
Class 300	10.50"	13.66"

How to Order

Example Model No. RG50HP-2N50-BN7

RG50 Series Regulator, 2" Body, Threaded Ends, Brass Trim with Nylon Seat, 7/8" Port

RG50HP - 2 N 50 - B N 7 -

Pilot Style			
LD - 0.25-2 psi Pilot	H - 10-65 psi Pilot	HP - 35-100 psi Pilot	
Connection Size			
2 - 2"			
Connection Type			
N - NPT	F - RFF		
Class			
50 - Threaded	10 - 150	30 - 300	
Trim Material			
B - Brass			
Seat Material			
V - Viton®	B - Buna	N - Nylon	
Port Size			
3 - 7/8" x 3/8"	4 - 7/8" x 1/2"	5 - 7/8" x 5/8"	
7 - 7/8"	9 - 1 1/8"		
Spring Range (LD Pilot Only)			
1 - 2 - 4 inWC	2 - 3 - 12 inWC	3 - 0.25 - 2 psi	Blank - for HP and H Pilots
4 - 2 - 10 psi	5 - 5 - 15 psi	6 - 10 - 20 psi	

Repair kits available.



Phone: 409-225-5863
 Fax: 409-242-1005
 850 Fannin
 Beaumont, Texas 77701