



LC25 Electric Level Control

The LC25 is a low-pressure, float operated, liquid level switch. With a working pressure of up to 200 psi, the LC25 features a rugged aluminum housing containing a SPDT switch that can be wired to either make or break contact when the liquid level rises or falls.

Specifications

Sizes: 2" NPT

Pressure Rating: 200 psi

Temperature Range: -20° F to 400° F (-29° C to 204° C)

Electric Switch Ratings:

15A @ 125, 250, 480 VAC

1/8 HP @ 125 VAC

1/4A @ 250 VDC

1/4 HP @ 250 VAC

1/2A @ 125 VDC

Materials:

Housing: Cast Aluminum

Body: Zinc Plated Carbon Steel

Float: 304 Stainless Steel

Arm: 304 Stainless Steel

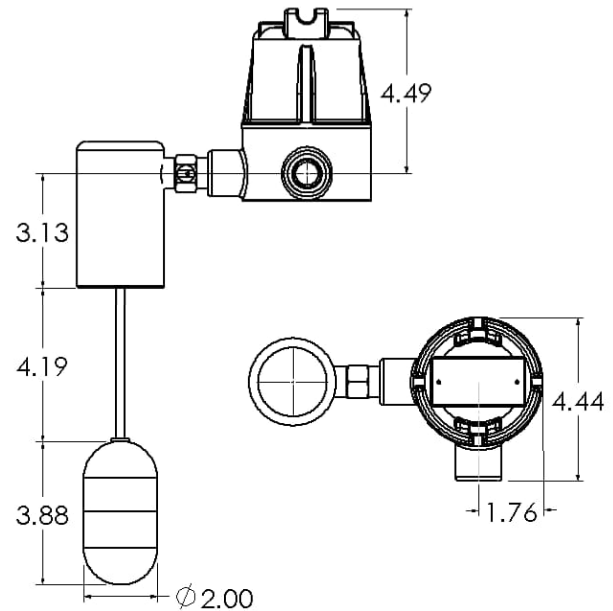
Shaft: Dry Film Lubricated Stainless Steel

Seals: Viton

Pilot Body: Aluminum

Dimensions

Dimensions in inches.



How to Order

Model Number	Description
LC25-1	Standard
LC25-2	6" Arm / 2" X 6" Float