

LG20 Glass Liquid Level Gauges

The LG20 Glass Liquid Level Gauge is a rugged flat glass gauge for mid-range pressure temperature applications. Standard construction includes a solid one-piece chamber machined from carbon steel with covers, toughened glass and chrome-molybdenum bolts and nuts. All metal parts are rustproofed. Recessed gasket seat prevents movement and insures leak-free service.

Specifications

Connections: 1/2" FNPT top-bottom connections.

Pressure/Temperature Ratings: See Table 1

Gauge Length/Weight (See Table 2):

Gauge sections are available in 3-9 standard glass sizes. For longer size requirements, multiple units can be constructed with multiple vision slots in a continuous solid bar chamber.

Construction Materials:

Liquid Chamber: Carbon Steel

Cover: Carbon Steel

Bolts and Nuts: Plated Carbon Steel

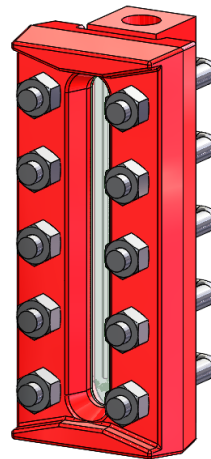
Features

Quality Materials: Tempered glass conforms to BS3463, DIN 7081. All parts are ASTM grade and listed in ANSI 31.3.

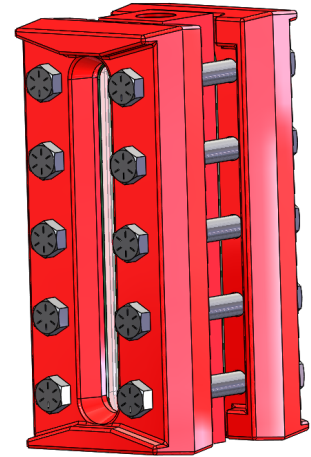
Quality Assurance Testing: All gauges are hydrostatically tested to 1.5 times the rated pressure at 100°F (38°C).

No-Leak Design: Recessed gasket seat in chamber and cover prevents leaks often caused by shifting gaskets.

Liquid-Gas or Liquid-Liquid Interface Applications: Available in either reflex (Figure 1) or transparent



LG20-R
(Reflex Style)



LG20-T
(Transparent Style)

Dimensions

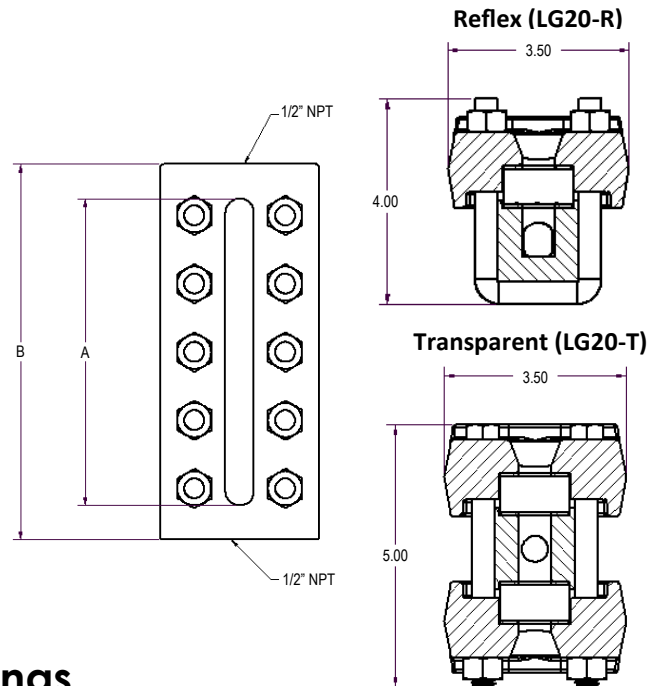


Table 1 - Pressure/Temperature Ratings

Temp	Maximum Pressure (psi)													
	Reflex Gauge							Transparent Gauge						
	Glass Size							Glass Size						
	3	4	5	6	7	8	9	3	4	5	6	7	8	9
100°F	2726	2610	2494	2349	2219	2103	2001	1755	1595	1508	1349	1247	1102	1001
200°F	2596	2465	2349	2219	2088	2001	1900	1668	1552	1436	1305	1175	1059	957
300°F	2436	2320	2204	2088	1972	1871	1755	1552	1450	1334	1218	1102	1001	899
400°F	2248	2132	2030	1929	1813	1711	1610	1465	1349	1247	1146	1044	928	856
500°F	2059	1958	1813	1755	1653	1552	1450	1349	1247	1160	1044	957	856	754
600°F	1856	1755	1668	1552	1479	1378	1305	1175	1102	1015	928	856	754	682

Table 2 - Gauge Lengths/Weights

Glass Size	(A) Visible Length	(B) Overall Length	Weight		Assembly Center-to-Center*
			Reflex	Transparent	LG20 + Set of GV20s
3	5 3/4"	7 1/4"	11 lbs.	17 lbs.	10 3/4"
4	6 3/4"	8 1/4"	12 lbs.	19 lbs.	11 3/4"
5	7 7/8"	9 3/8"	14 lbs.	21 lbs.	12 7/8"
6	9 1/8"	10 5/8"	16 lbs.	24 lbs.	14 1/8"
7	10 1/4"	11 3/4"	18 lbs.	27 lbs.	15 1/8"
8	11 7/8"	13 3/8"	20 lbs.	30 lbs.	16 7/8"
9	12 5/8"	14 1/8"	21 lbs.	32 lbs.	17 5/8"
24	15"	16 1/2"	24 lbs.	38 lbs.	20"
25	17 1/4"	18 3/4"	27 lbs.	43 lbs.	22 1/4"
26	19 3/4"	21 1/4"	31 lbs.	49 lbs.	24 3/4"
27	22"	23 1/2"	34 lbs.	53 lbs.	27"
28	25 1/4"	26 3/4"	39 lbs.	61 lbs.	30 1/4"
29	26 3/4"	28 1/4"	41 lbs.	64 lbs.	31 3/4"

*Dimension when using 3/4" Pipe Nipple Connections to GV20s

How to Order

Example Model No: **LG20-R3**

LG20 Medium Pressure Glass Liquid Level Gauge, 1/2" FNPT Connections, Reflex Style, Size 3 Glass, 5 3/4" Visible Length,

LG20 - R 3 -

Style		
R - Reflex	T - Transparent	
Glass Size - Overall Length		
3 - 7 1/4"	4 - 8 1/4"	5 - 9 3/8"
6 - 10 5/8"	7 - 11 3/4"	8 - 13 3/8"
9 - 14 1/8"	24 - 16 1/2"	25 - 18 3/4"
26 - 21 1/4"	27 - 23 1/2"	28 - 26 3/4"
29 - 28 1/4"		
Connections		
Blank - Standard 1/2" Ends	D1 - 1/2" Ends w/ 3/4" Side *	
D2 - 1/2" Ends w/ 1/2" Side *	B1 - 1/2" Ends w/ 3/4" Back *	
B2 - 1/2" Ends w/ 1/2" Back *		

*Contact Factory for Additional Information about Overall Length and Center to Center dimensions.



Phone: 409-225-5863
Fax: 409-242-1005
1009 Laurel Street
Beaumont, Texas 77701