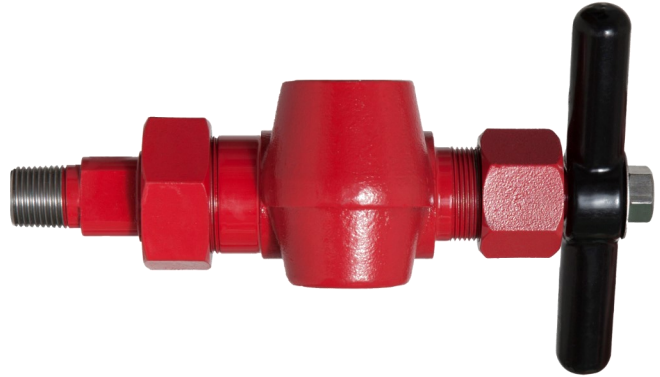


GV20 Gauge Valve

The GV20 Gauge Valves are designed to be used with BMD's LG20 Level Gauges but are also compatible with all armored flat-glass level gauges. Union tank connections make for easy installation and removal.



Specifications

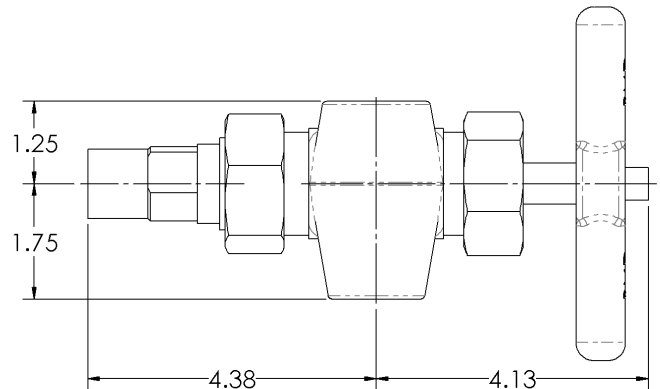
Connections:

- Sight Glass Connection: 1/2" FNPT
- Tank Connection: 1/2" and 3/4" Union

Features

- Safety Shutoff:** SST ball check upstream of the seat shuts off medium flow in the event of glass breakage.
- Ergonomic Handle:** Sturdy 0.75" diameter tee handle for ease of use and comfortable operation.
- Offset Design:** Body and drain connections are offset from the tank connection for easy glass cleaning.
- NACE Compatible:** Wetted parts conform to NACE MR-01-75 specifications for sour gas service.

Dimensions



How to Order

Example Model No: GV20-F1
 GV20 Gauge Valve with 1/2" Tank Union and 1/2" FNPT Glass Connections.

