

## CV30 with Electric Actuator

BMD's CV30 control valve can be equipped with an electric actuator. The electric actuator takes the place of the standard spring/diaphragm actuator. In addition to being a zero emissions device, electric actuators also have the advantage of high shut off loads and excellent control in a convenient package.

BMD's electric actuator offering includes options for AC and DC power sources, and for both modulating and on/off service.

All standard valve options are available when used with an electric actuator.

## Specifications

**Power:** 120 VAC 50/60 Hz, 12 VDC, 24 VDC

**Amp Draw:** .8 (AC), 2 (12VDC), 4 (24VDC)

**Max Thrust:** 1050 lbf

**Control Types:** On/Off, Modulating, Pulse (DC Only)

**Control Signal:** 4-20 mA, 1-5 V, 0-5 V, 0-10 V, 2-10 V

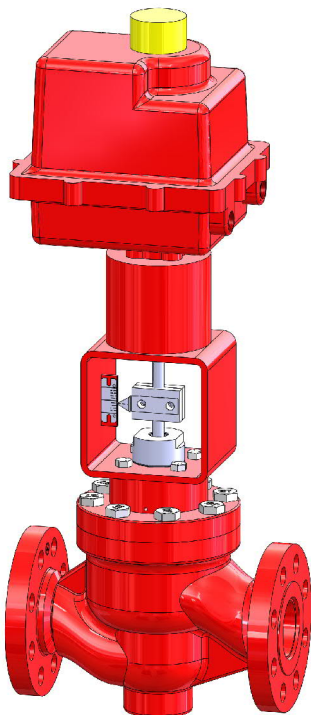
**Cycle Time:** 8 Seconds

**Shut Off:** Full Rated Pressure of Valve

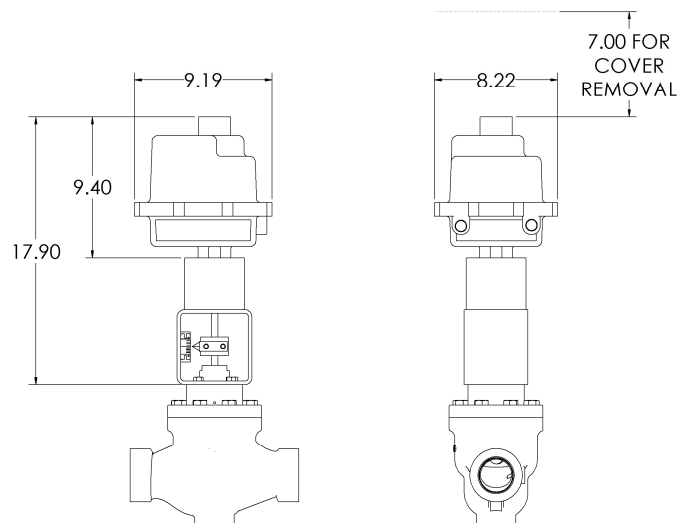
**Housing:** UL1203 Explosion Proof Enclosure with IP 4X Rating

**Housing Connections:** Two 1/2" NPT

**Max Ambient Temperature:** 150° F



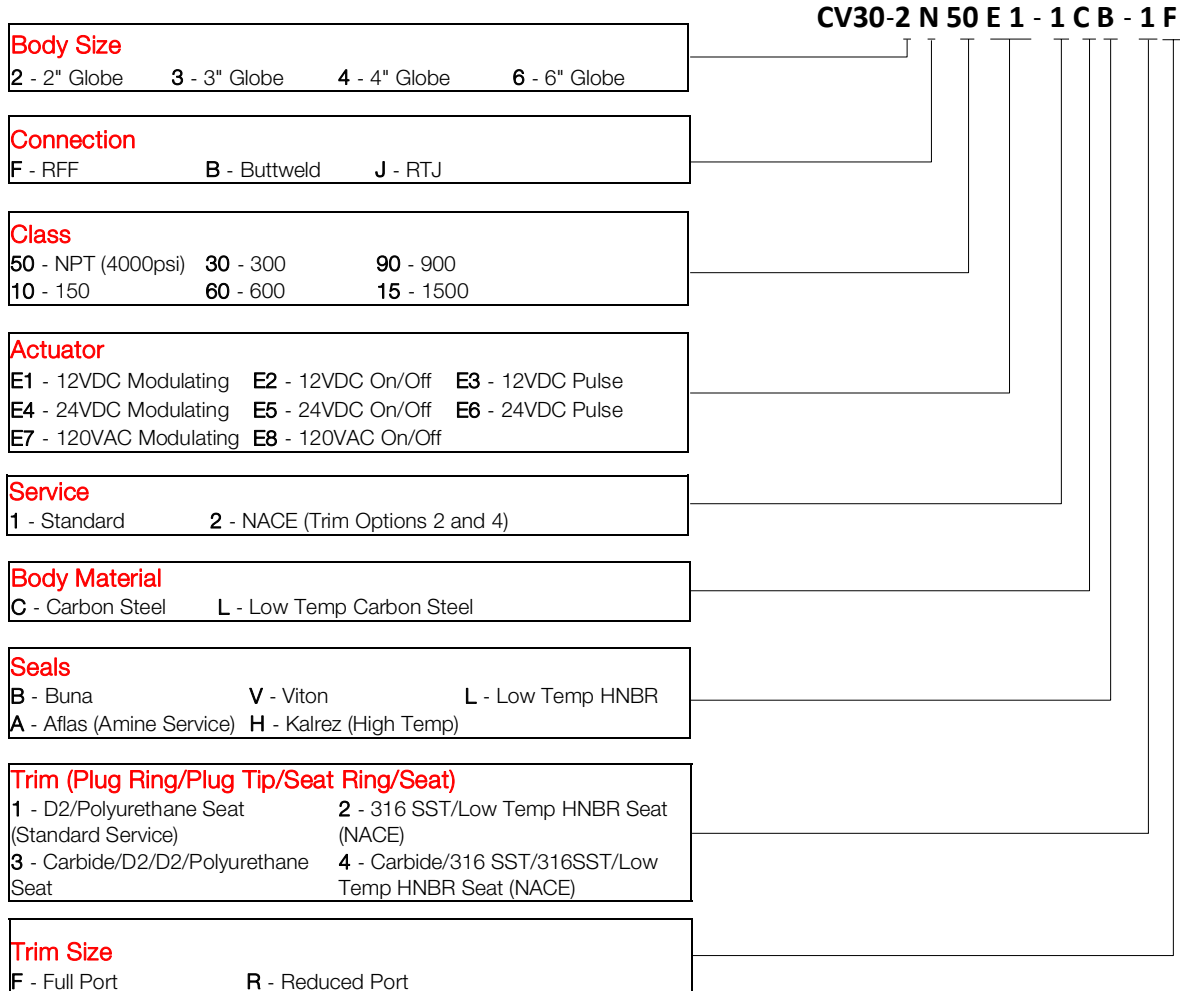
## Dimensions



# How to Order

Example Model No. **CV30-2N50E1-1CB-1F**

CV30 Series Control Valve, 2" Globe Body, Threaded Ends, 12 VDC Modulating Electric Actuator, Standard Service, Carbon Steel Body with Buna Seals, D2 Tool Steel Trim with Polyurethane Seat, Full Port



Note: See the CV30 brochure for additional valve data.



Phone: 409-225-5863  
 Fax: 409-242-1005  
 850 Fannin  
 Beaumont, Texas 77701