

CV15 with Electric Actuator

BMD's CV15 control valve can be equipped with an electric actuator. The electric actuator takes the place of the standard spring/diaphragm actuator. In addition to being a zero emissions device, electric actuators also have the advantage of high shut off loads and excellent control in a convenient package.

BMD's electric actuator offering includes options for AC and DC power sources, and for both modulating and on/off service.

All standard valve options are available when used with an electric actuator.



Specifications

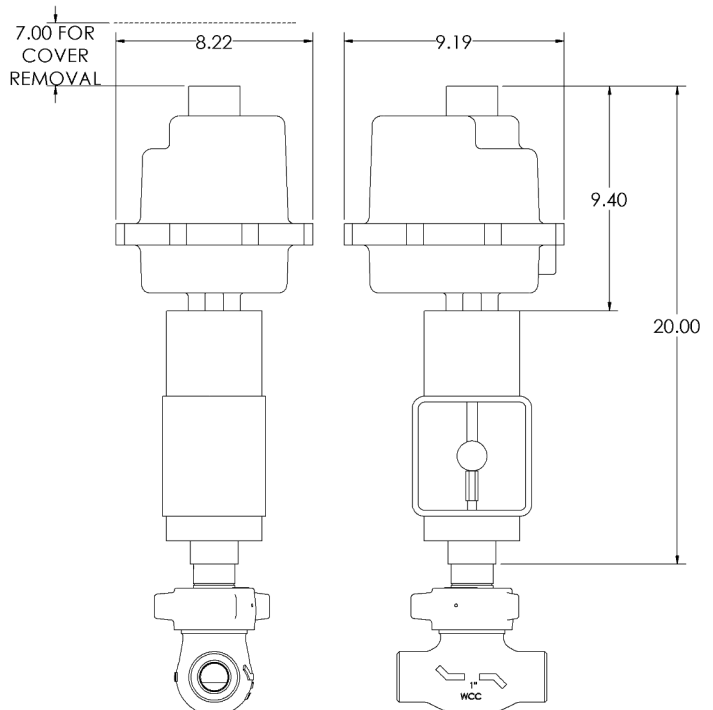
Power: 120 VAC 50/60 Hz, 12 VDC, 24 VDC
 Amp Draw: .8 (AC), 2 (12VDC), 4 (24VDC)
 Max Thrust: 1050 lbf
 Control Types: On/Off, Modulating, Pulse (DC Only)
 Control Signal: 4-20 mA, 1-5 V, 0-5 V, 0-10 V, 2-10 V
 Cycle Time: 8 Seconds

Housing: UL1203 Explosion Proof Enclosure with IP 4X Rating
 Housing Connections: Two 1/2" NPT
 Max Ambient Temperature: 150°F

Maximum Shut-Off Pressures

Trim Size (in.)	Flow Direction	Pressure (psi)
0.25	Up	4000
0.375		4000
0.50		4000
0.75		2163
1.00		1177
0.25	Down	4000
0.375		4000
0.50		4000
0.75		3054
1.00		1500

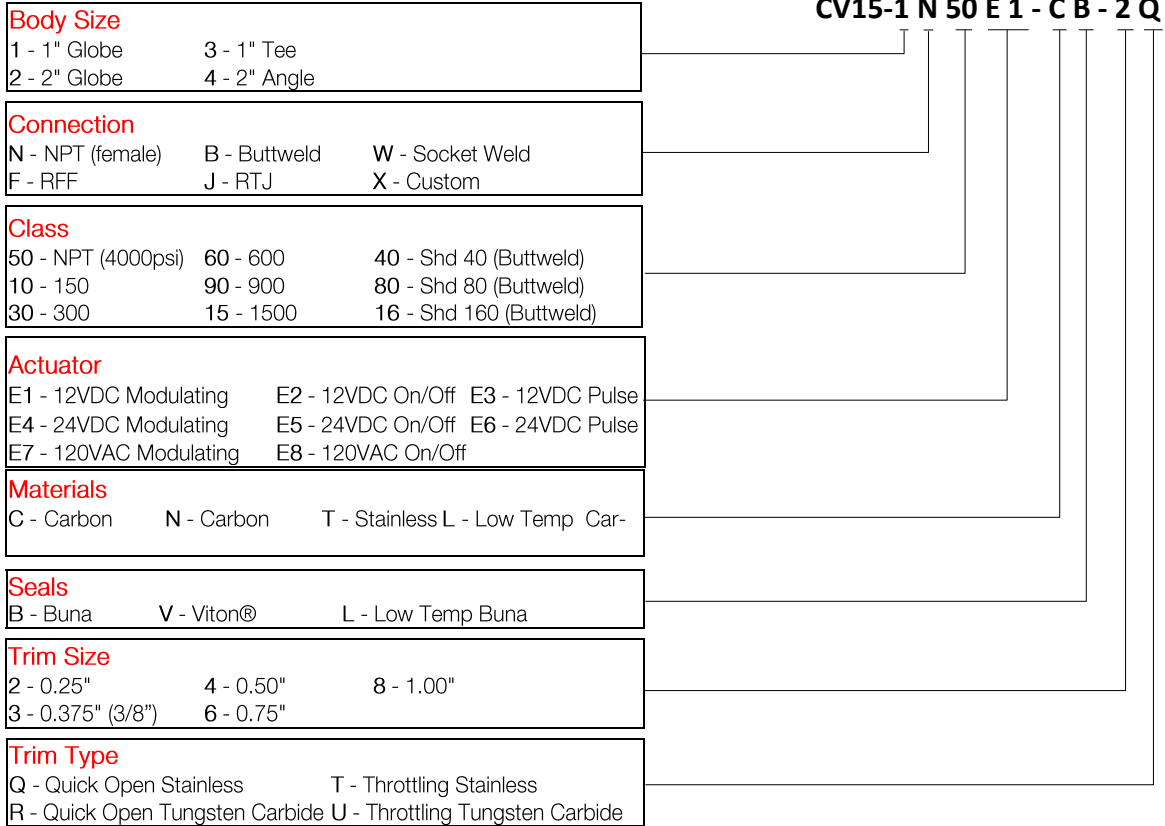
Dimensions



How to Order

Example Model No. CV15-1N50E1-CB-2Q

CV10 Series Dump Valve, 1" Globe Body, Threaded Ends, 12 VDC Modulating Electric Actuator, Carbon Steel with Buna Seals, 0.25" Quick Open SST Trim



Note: See the CV10 brochure for additional valve data.



Phone: 409-225-5863
 Fax: 409-242-1005
 850 Fannin
 Beaumont, Texas 77701